

# SPOTIRAF

Shelf Systems



## Quality Built by Technology

Leading the industry in shopfitting and shelving systems through advanced manufacturing processes.

**Spotiraf Shelf Systems**

info@spotiraf.com

www.marketekipmani.com

+90 538 059 12 48

+90 545 691 53 54



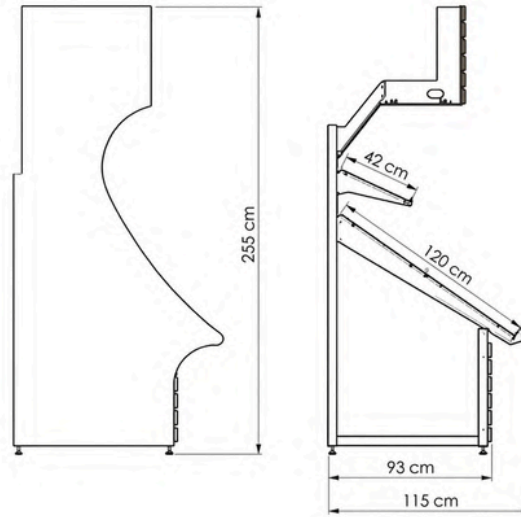
# MANUFACTURING

# LINE

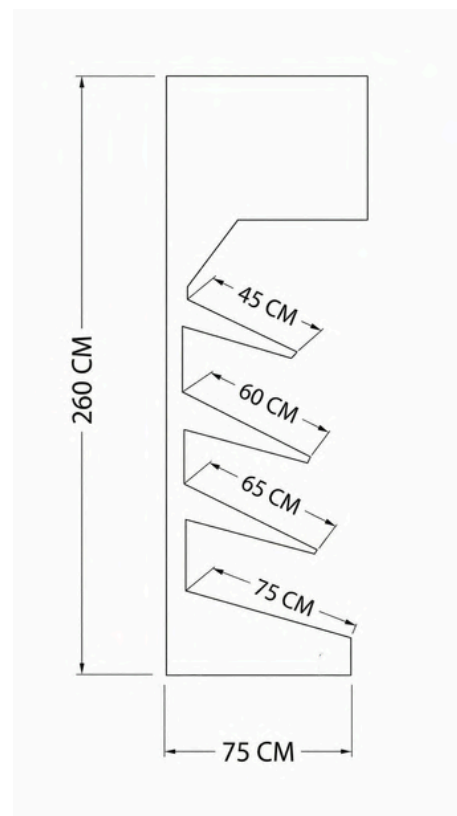




# WALL DISPLAY UNITS



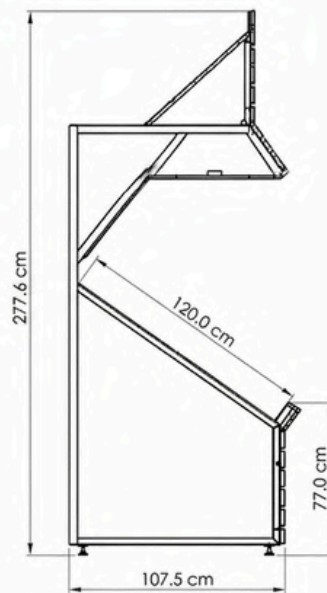
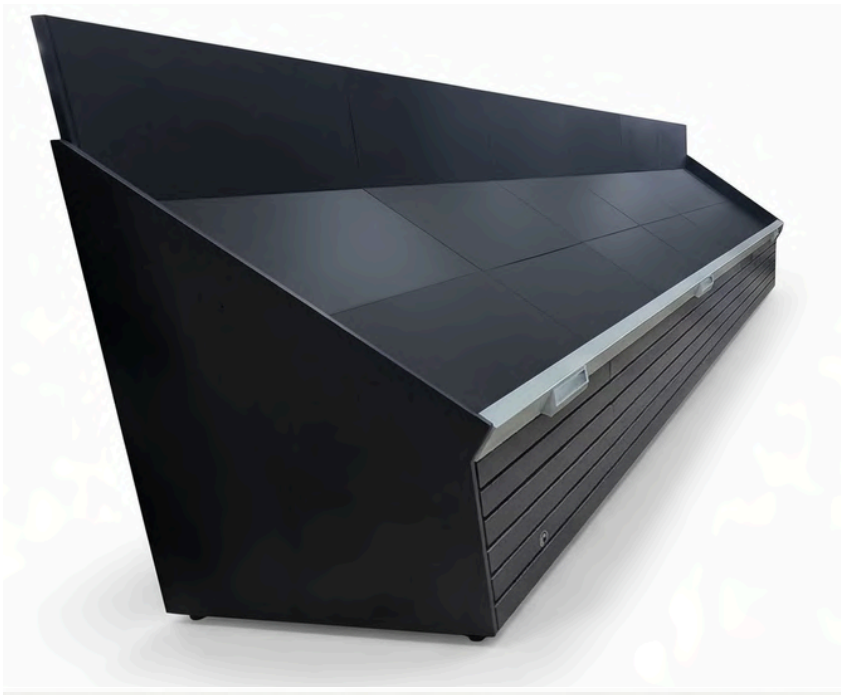
Product Code  
**DR1**



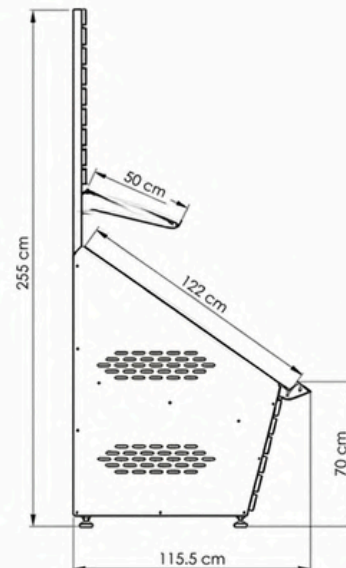
Product Code  
**DR11**



# WALL DISPLAY UNITS



Product Code  
**MR2**



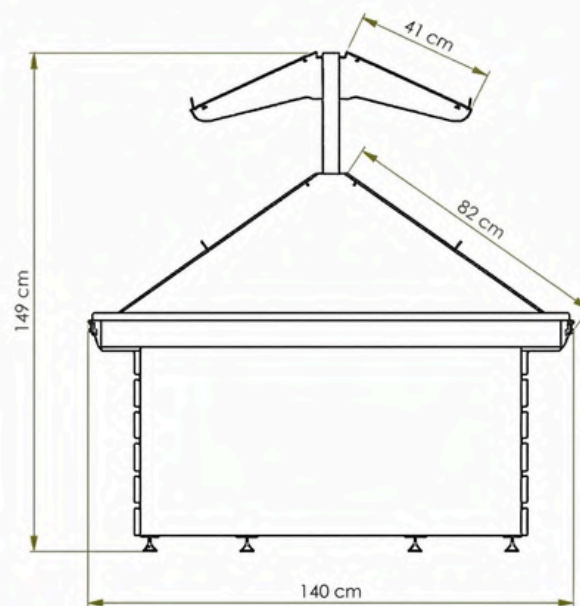
Product Code  
**MR19**



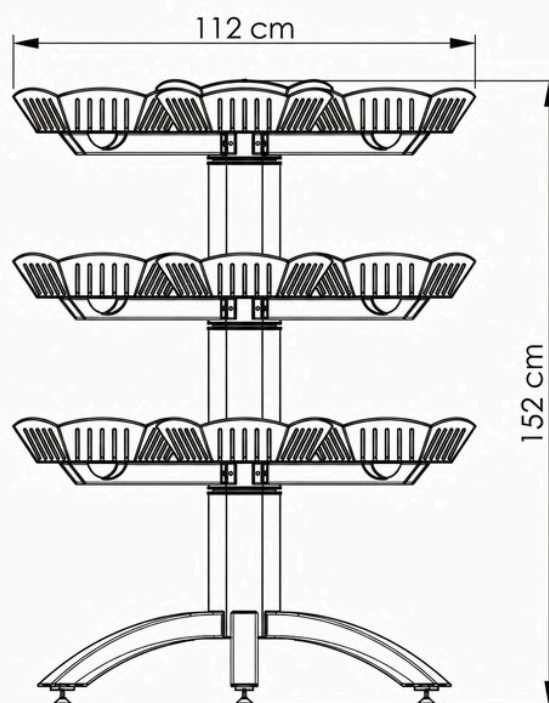
# ISLAND DISPLAY UNITS



Product Code  
**DR5**



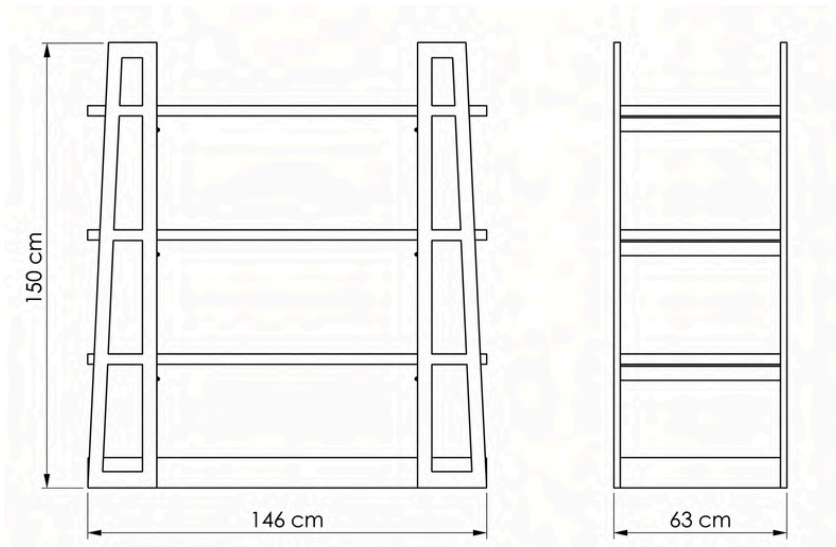
Product Code  
**DR9**



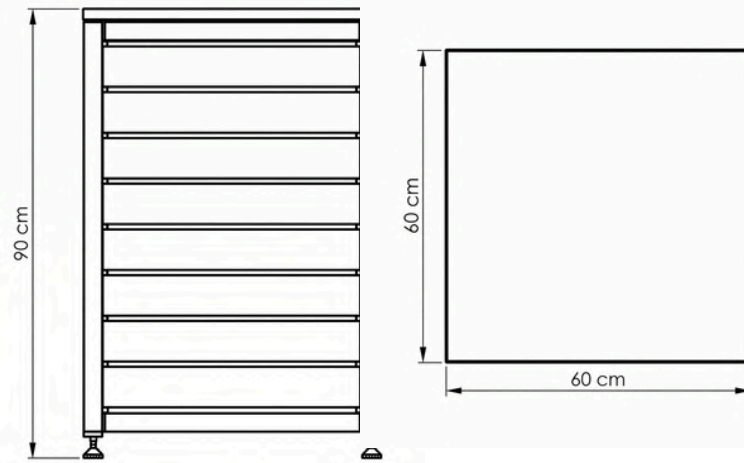
Product Code  
**MR5**



# ISLAND DISPLAY UNITS



Product Code  
**MR20**



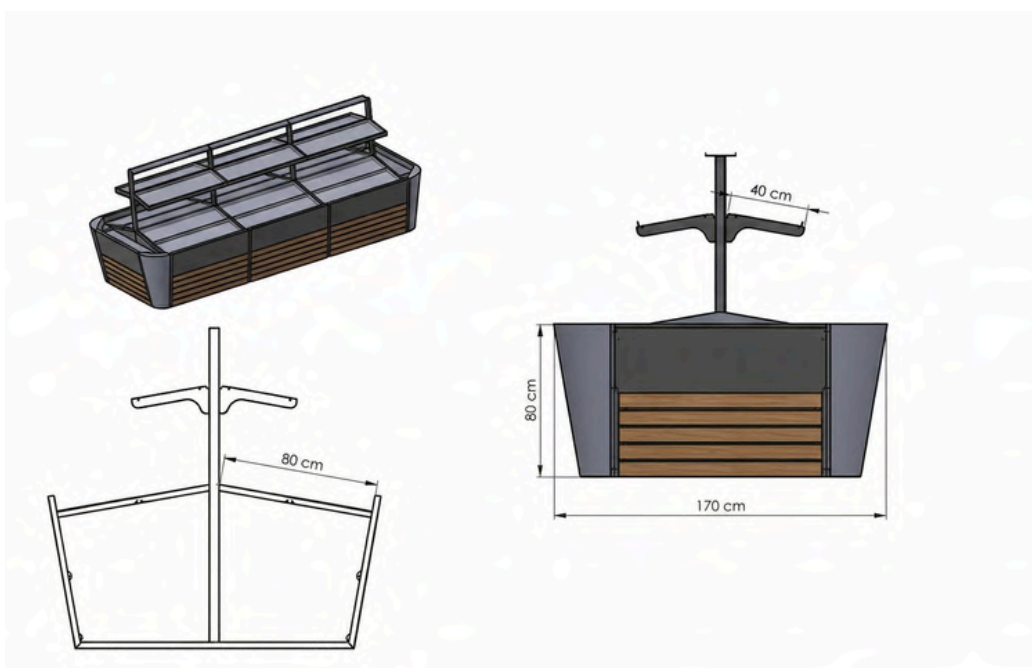
Product Code  
**MR21**



Product Code  
**MR38**



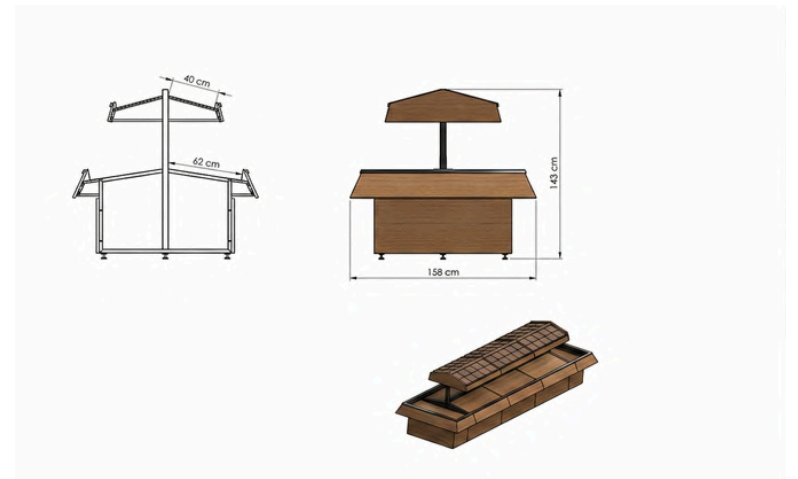
# ISLAND DISPLAY UNITS



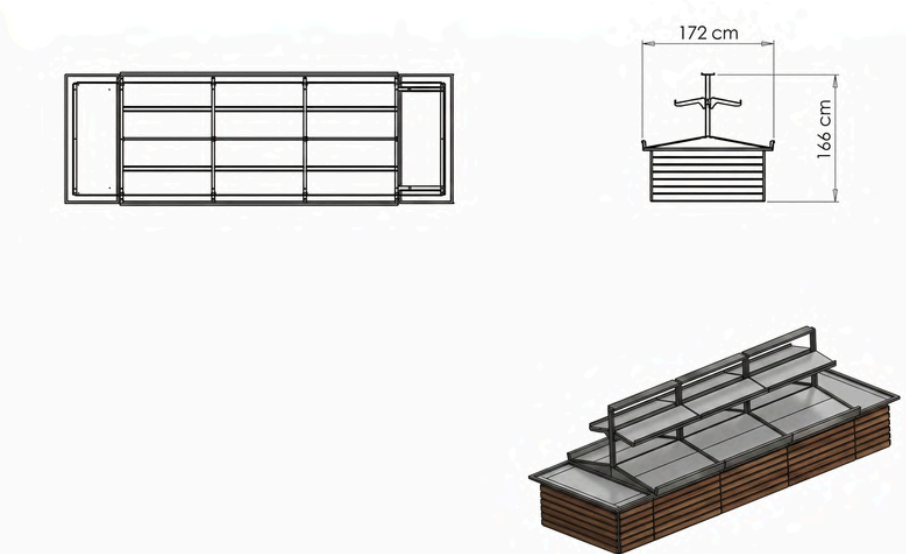
Product Code  
**MR35**



# ISLAND DISPLAY UNITS



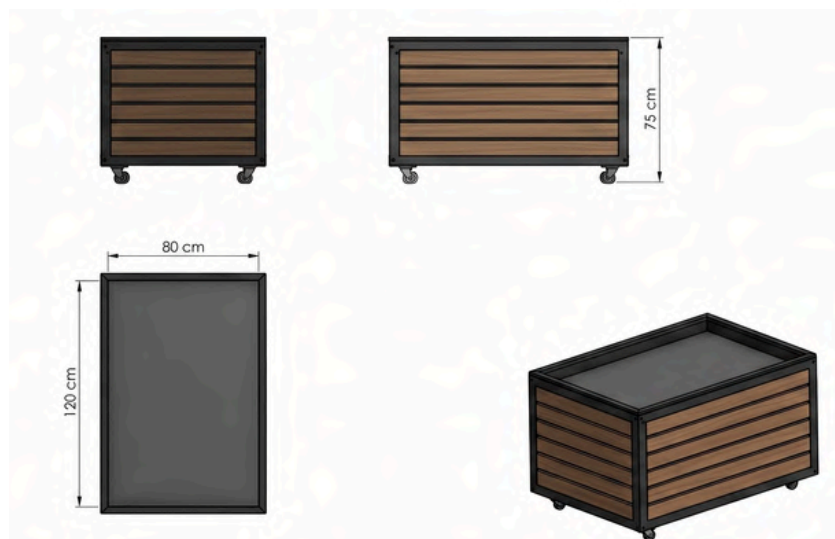
Product Code  
**MR36**



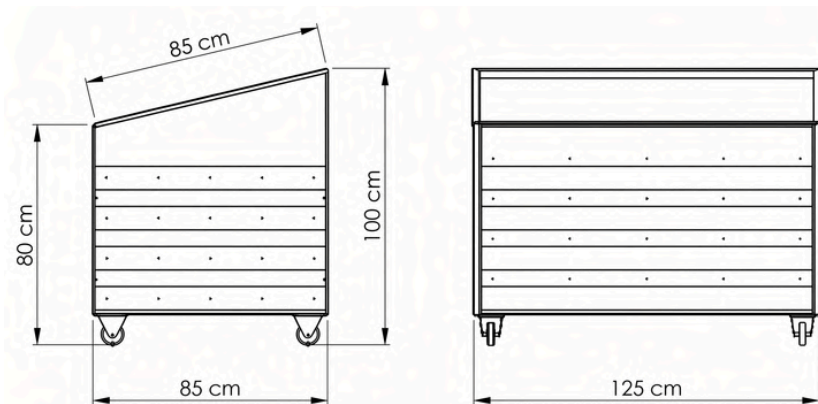
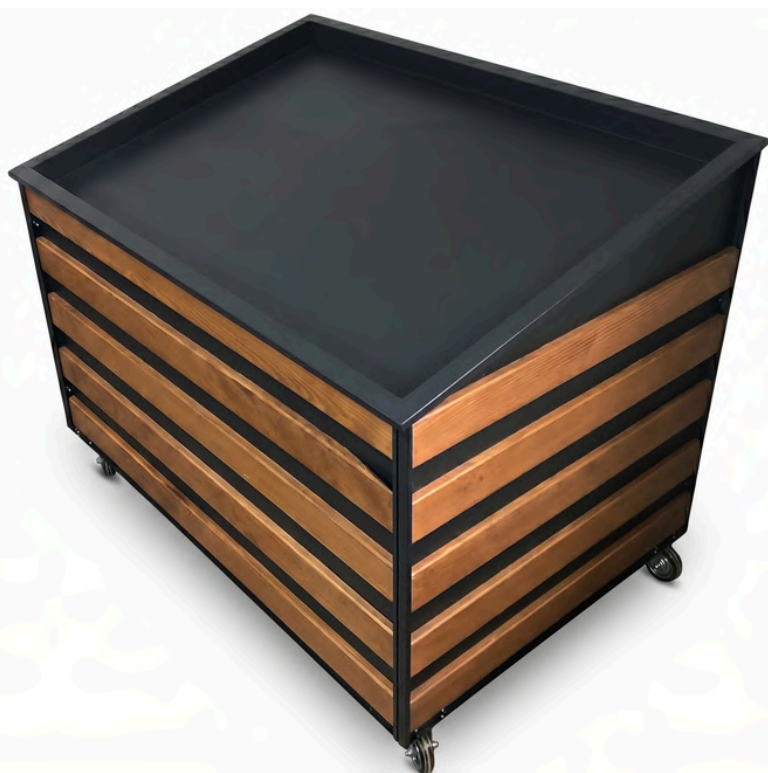
Product Code  
**MR37**



# WHEELED DISPLAY UNITS



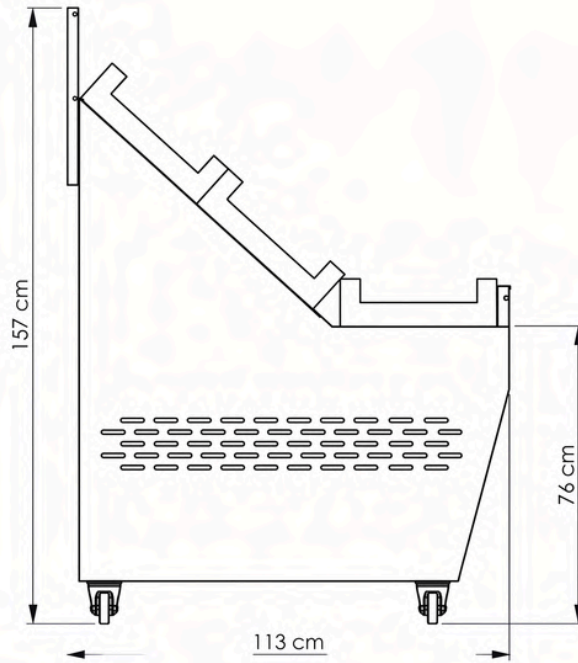
Product Code  
**DR6**



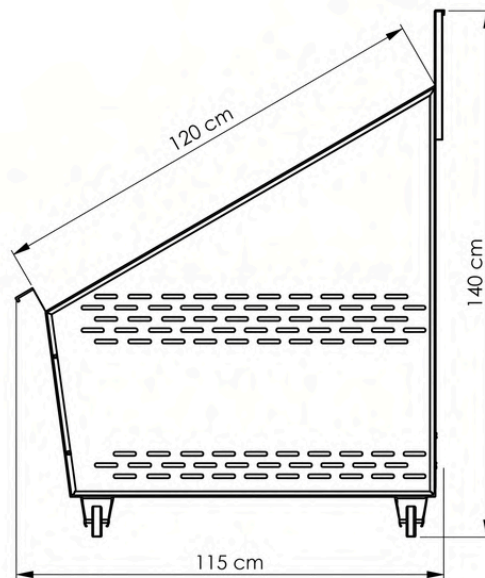
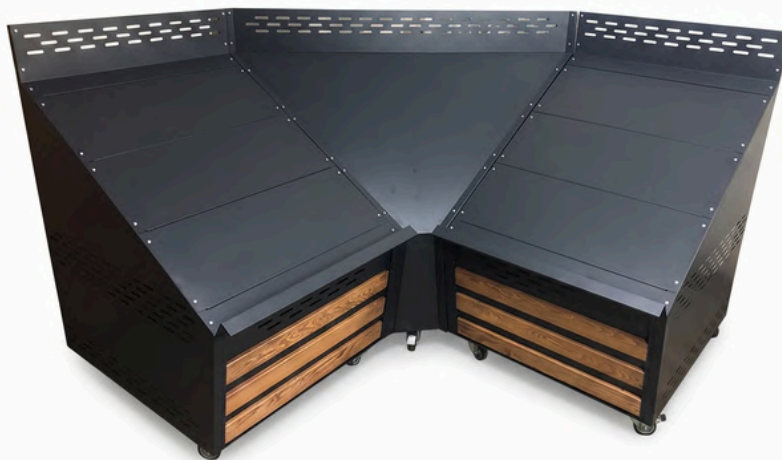
Product Code  
**MR13**



# WHEELED DISPLAY UNITS



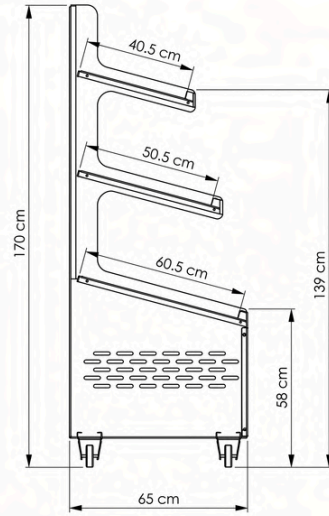
Product Code  
**MR3**



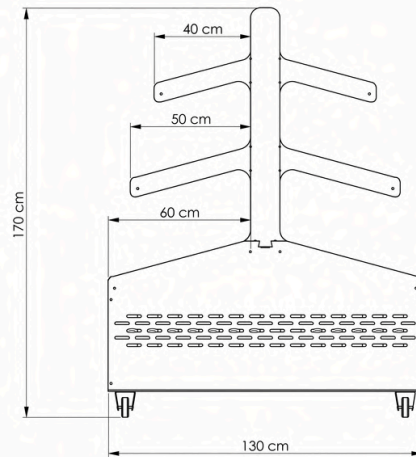
Product Code  
**MR4**



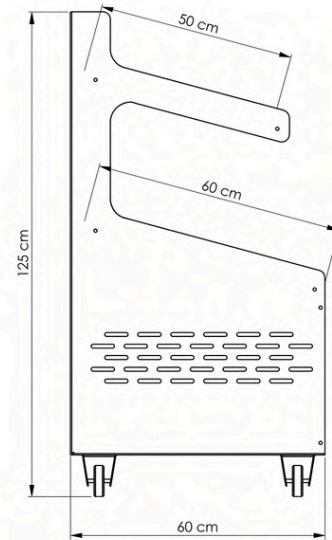
# WHEELED DISPLAY UNITS



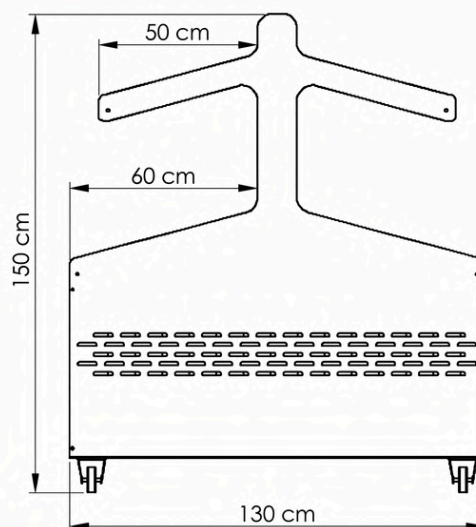
Product Code  
**MR6**



Product Code  
**MR6-2**



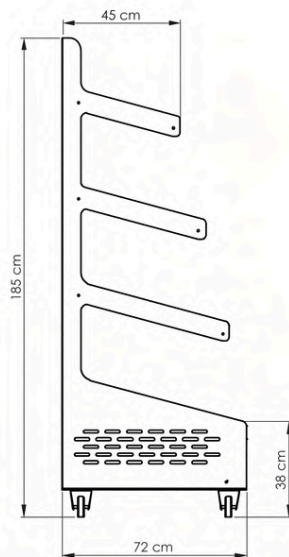
Product Code  
**MR7**



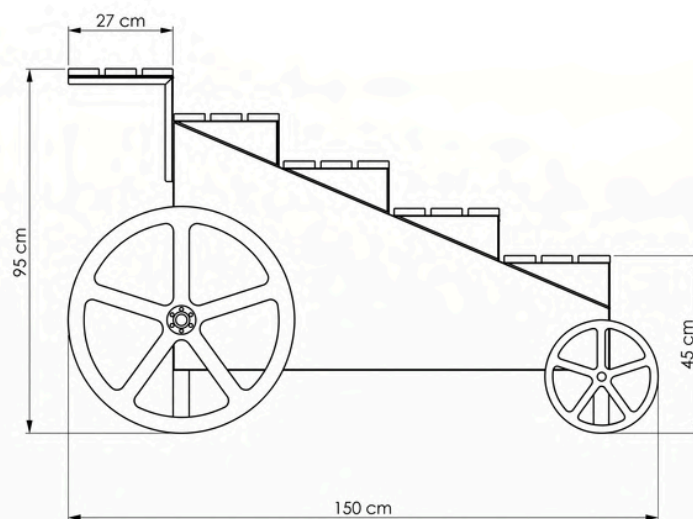
Product Code  
**MR7-2**



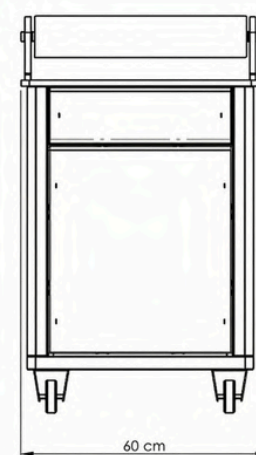
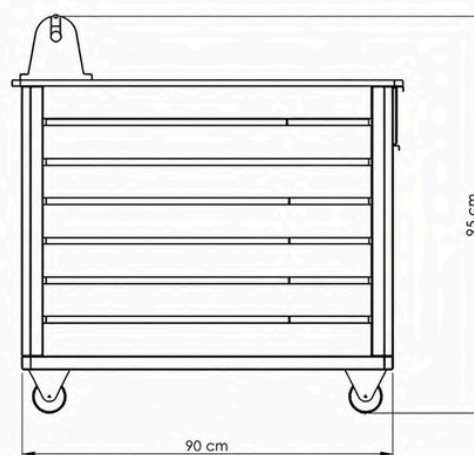
# WHEELED DISPLAY UNITS



Product Code  
**MR8**



Product Code  
**MR34**



Product Code  
**MR9**



# OLIVE DISPLAY UNITS



Product Code  
**ZR9**



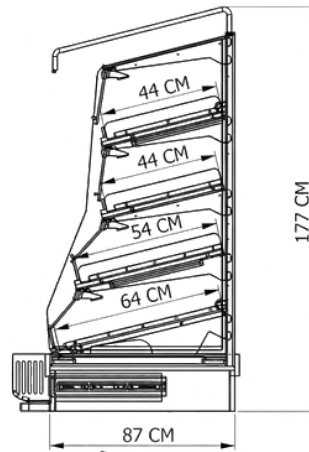
Product Code  
**ZR2**



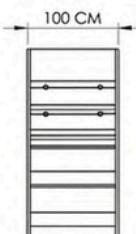
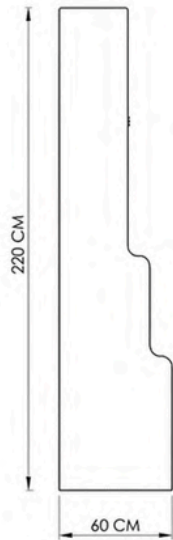
Product Code  
**ZR1**



# BAKERY UNITS



Product Code  
**ER15**



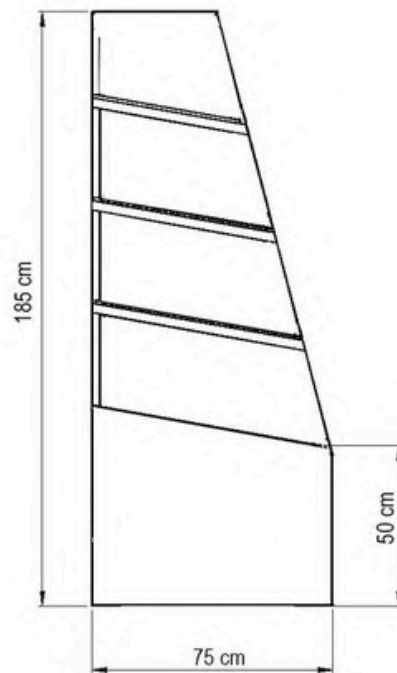
Product Code  
**ER14**



Product Code  
**BR1**



# BAKERY UNITS



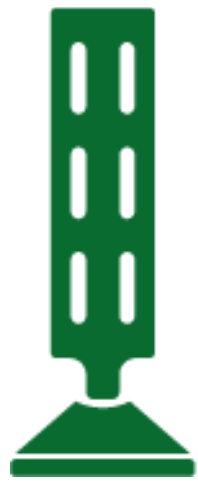
Product Code  
**ER13**



Product Code  
**ER1**



Product Code  
**ER1-2**



# SPOTIRAF

Shelf Systems



## Quality Built by Technology

- All product designs are owned by our company, and all products featured in the images are manufactured by us.
- The metal components are manufactured from galvanized steel and finished with electrostatic powder coating.
- The wooden components can be produced in natural wood or MDF laminate, according to customer preference.
- Designs can be revised upon request.

**Spotiraf Shelf Systems**

info@spotiraf.com

www.marketekipmani.com

+90 538 059 12 48

+90 545 691 53 54